

The ATMEL/51 Experimenter's Board PCB is a complete prototyping platform for the AT89c51/52/8252, AT89S51/51/8252 (8051) family of 40-pin microcontrollers. It includes four I/O ports where you can connect External Add-ons via these ports. Further this board includes inbuilt RS232 to TTL convertor, which allows connecting to PC via DB9 pin serial connector.

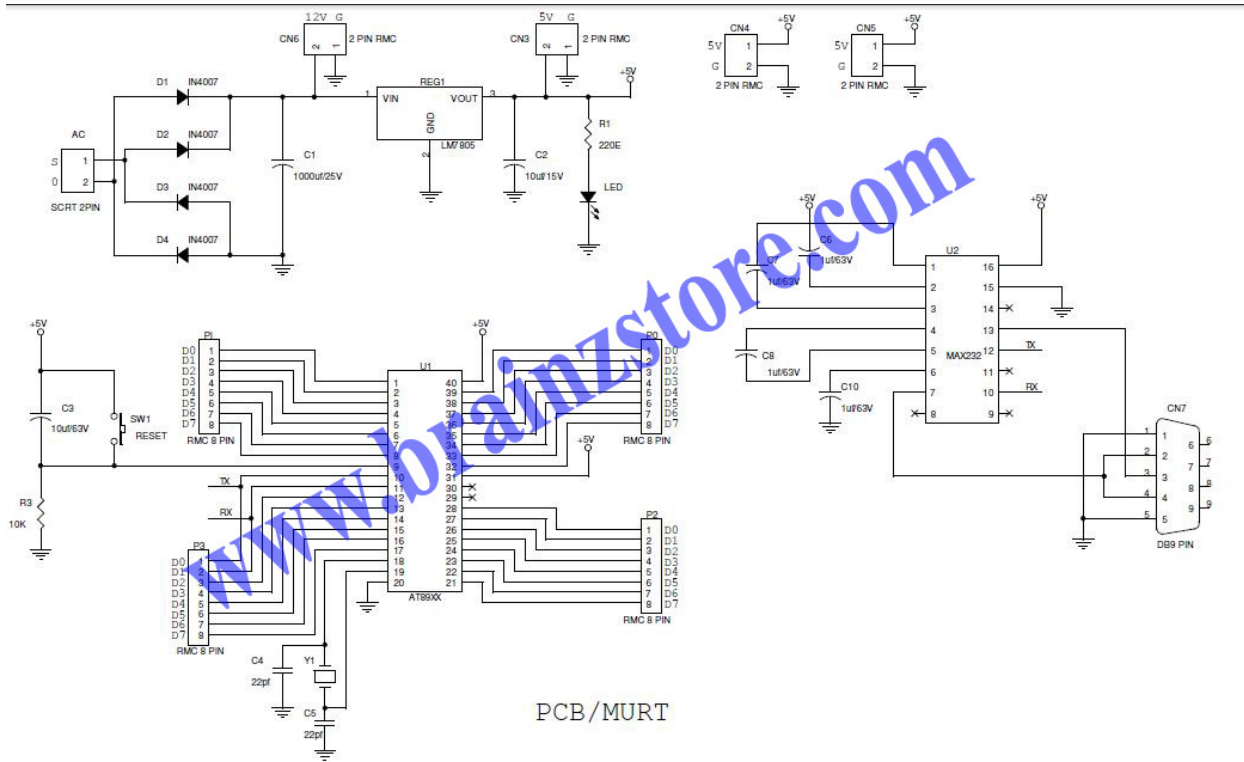
This PCB includes

- Bridge Rectifier
- Regulator 7805
- Reset
- Bug strip for I/O ports (4 ports) P0-P3
- Power LED indication
- 6-24MHZ Xtal
- Single Layer PCB with legend
- 5082/V2 Standard connector for Transformer input.
- Max232 for serial communication
- DB- 9 pin connector for serial port

Dimension:

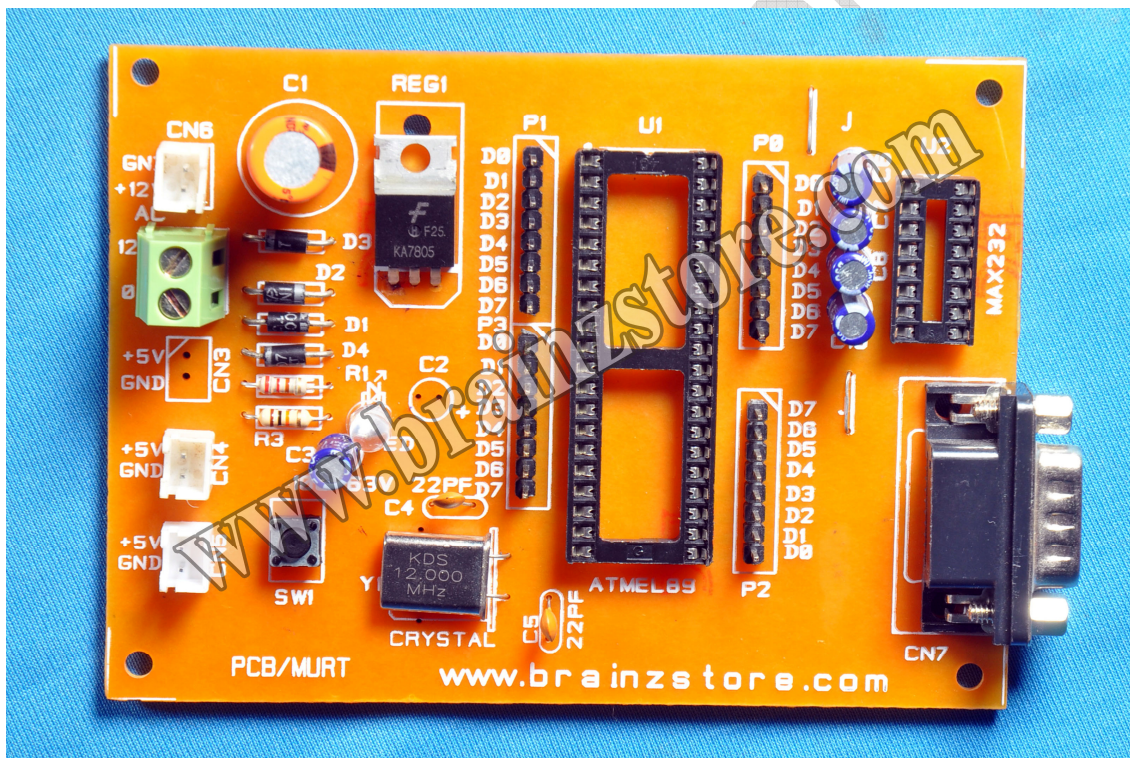
11 * 8 cm

Circuit:



| | | | |
|------------|--------|-------|---------------------|
| Diode: | D1-D4 | ----- | IN4001/7 |
| Resistor: | R1 | ----- | 220E |
| | R3 | ----- | 10K |
| Capacitor: | | | |
| | C1 | ----- | 1000MFD/25V |
| | C2 | ----- | 1MFD/15V (optional) |
| | C3 | ----- | 10MFD/63V |
| | C4&C5 | ----- | 22pf |
| | C6-C10 | ----- | 1MFD/63V |
| Xtal: | Y1 | ----- | 6MHZ -24MHZ |

| | | | |
|------------|-------|-------|-----------------------------------|
| IC | U1 | ----- | AT89C51/52/8252 , AT89s51/52/8252 |
| | U2 | ----- | MAX232 |
| Regulator: | Reg1 | ----- | 7805 |
| Reset: | SW1 | ----- | 2 pin Reset switch |
| LED | | ----- | 5mm LED |
| Output: | P0-p3 | ----- | 4*8 bug stick |
| Serial: | CN7 | ----- | DB9 pin |
| Jumper | J | | |



Fully Assembled

**** Caution: 12V AC input should be given only via step down transformer**